

(12) **UK Patent Application** (19) **GB** (11) **2 334 896** (13) **A**

(43) Date of A Publication **08.09.1999**

(21) Application No **9804815.0**

(22) Date of Filing **07.03.1998**

(71) Applicant(s)
Paul Horton
5 Boyn Hill Avenue, MAIDENHEAD, Berks, SL6 4ET,
United Kingdom

(72) Inventor(s)
Paul Horton

(74) Agent and/or Address for Service
Paul Horton
5 Boyn Hill Avenue, MAIDENHEAD, Berks, SL6 4ET,
United Kingdom

(51) INT CL⁶
A63B 63/00 61/00

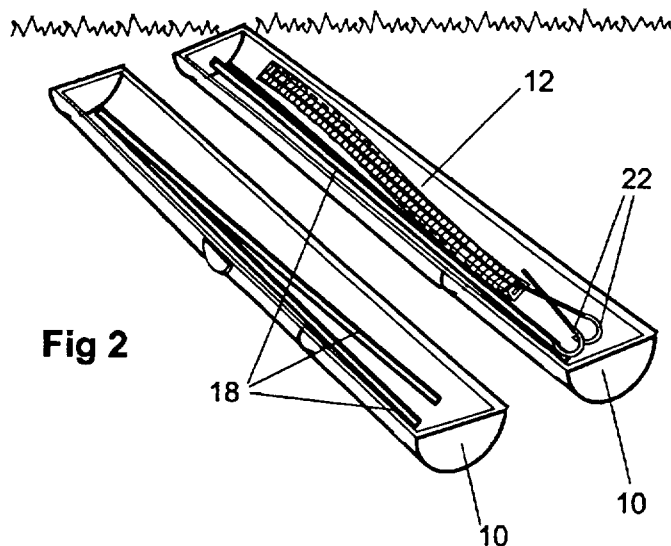
(52) UK CL (Edition Q)
A6D D11F

(56) Documents Cited
WO 95/13847 A1 US 4993719 A US 4088317 A

(58) Field of Search
UK CL (Edition P) **A6D D11F**
INT CL⁶ **A63B 61/00 61/02 63/00**
Online: **WPI**

(54) Abstract Title
Portable goal and net

(57) A goal or net, e.g. football goal or tennis net, has posts 10 which are adapted so that they provide storage and transportable means of the goal and net when not in use for playing football or tennis and the like. The posts are releasably secured together and can contain the net 12, the cross-bar 12 and support frames 18 therein. When the posts, cross-bar and support frames are releasably secured as a framework the net may be attached to form a goal or net (Figs. 3,4) for playing sports games. Ground-pegs 22 are provided for use outdoors on sort ground. An integral handle (26) (Fig. 1) is provided on the posts for transportable means.



GB 2 334 896 A

Fig 1

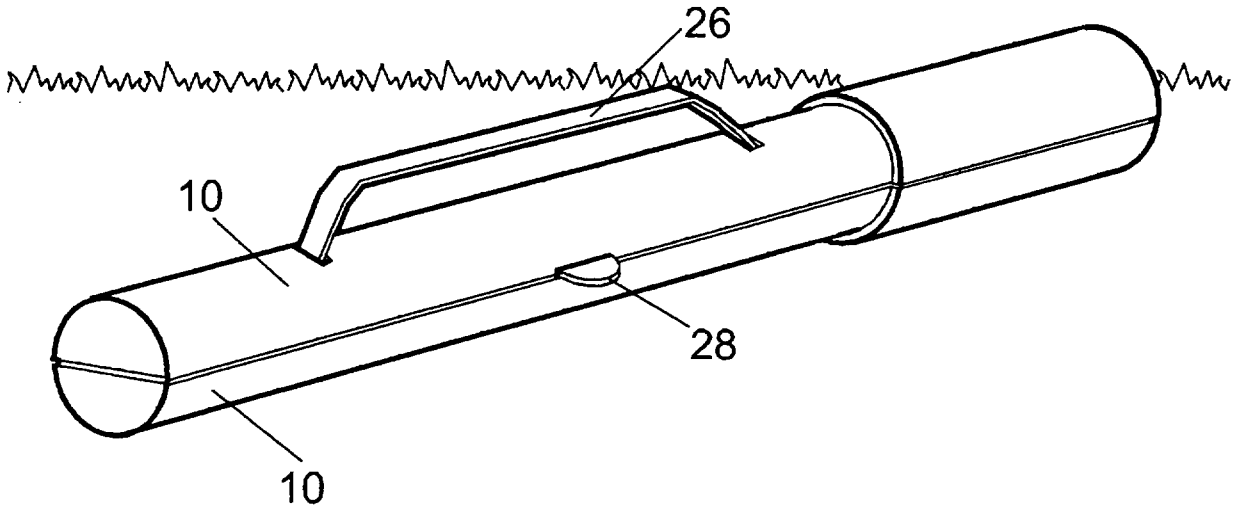


Fig 2

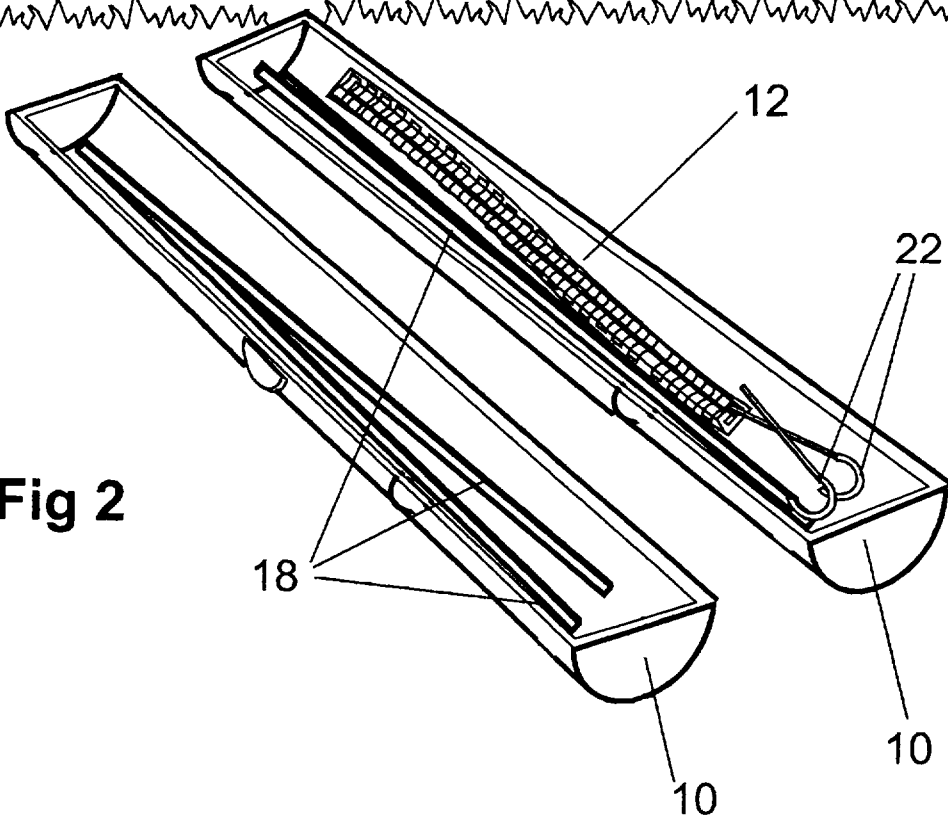


Fig 3

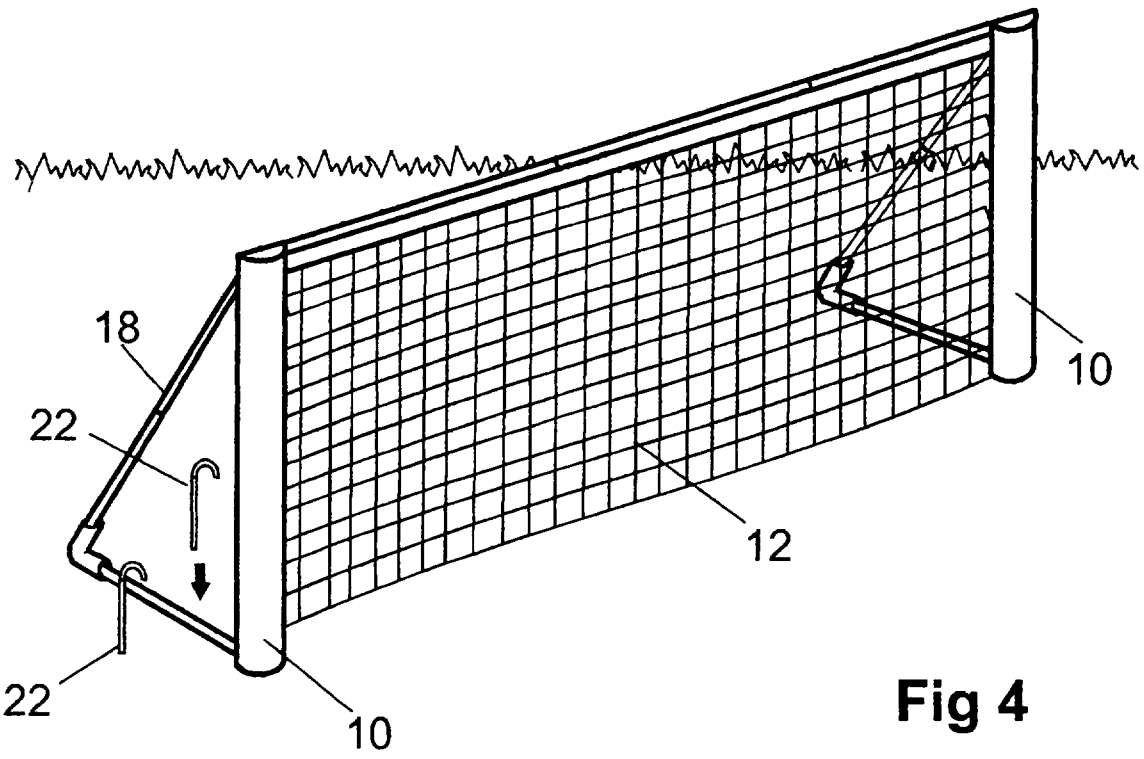
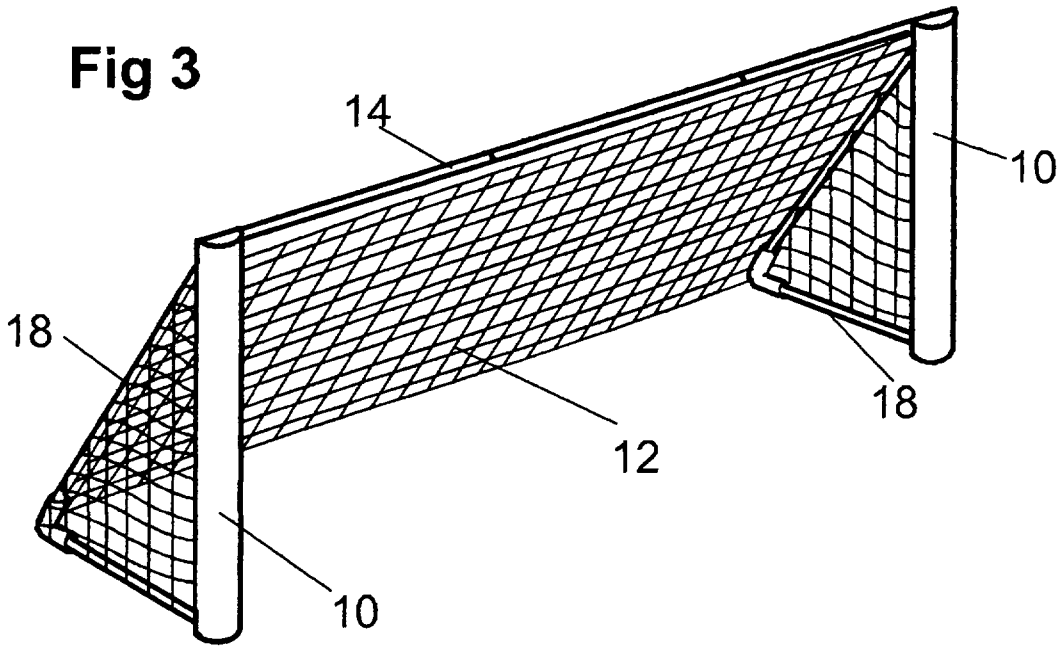


Fig 4

SELF-CONTAINED TOY GOAL & NET

This invention relates to a self-contained toy goal and net.

Goals and nets are well known apparatus for a variety of sports, games and pastimes which comprise, usually, of vertically standing posts with a horizontally suspended cross-bar, or similar, to form a framework upon which a net can be affixed to create a goal or net. There are special types of goals and nets in the form of children's toys, in which the structure is, usually, a scaled down version of a specific goal or net. There are even more specialised toys, which are adaptable in a way to provide a range of alternative goals or nets for the playing of, for example, football, tennis and volleyball.

Goals and nets are, however, as toys, relatively bulky items when disassembled in terms of retail packaging volume and also when fully erected. Moreover, once assembled, they are also relatively time consuming to dismantle and therefore inconvenient and by necessity require additional means to store and transport for use elsewhere by, for example, a bag or case or similar means.

According to the present invention there is provided a self-contained goal and net comprising the posts, which are adapted to form storage-unit casings, means for releasably securing the casings together and containing therein, the net, the cross-bar and the support frames, with the means for releasably securing together as a framework in the mode of either a goal or net.

A specific embodiment of the invention will now be described by way of example with reference to the accompanying drawing in which: -

Figure 1 shows the posts as storage-unit casings in the closed position;

Figure 2 shows the separation of the posts, with components stored therein,

Figure 3 shows in perspective, posts, cross-bar and net arrangement, assembled in position on the ground in the goal mode; and

Figure 4 illustrates the net mode;

Referring to the drawing the self-contained toy goal and net comprises the posts 10, adapted to form storage-unit casings which are releasably secured together by, for example a catch 28, or similar means and the net 12, the cross-bar 14 and the support frames 18, with the means for releasably securing together as a framework by, for example, a push-fit joint, hinges, clips, hooks or similar means (not shown), in the mode of either a goal or net. Ground pegs 22 are provided for use outdoors on soft surfaces.

In order to remove the goal and net from the storage position as shown in Fig 1 the means securing the posts together are released and the support-frames, cross-bar and net are accessible as shown in Fig 2 the posts can be supported in the vertical position as illustrated in Fig 3 and Fig 4 to provide means of assembly in either mode the support frames may be provided with hinged joints (not shown).

In order to form the goal mode as illustrated in Fig 3 the net 12 is releasably secured to the framework, by, for example, hooks or ties or similar means provided (not shown)

In order to form the net mode as illustrated in Fig 4 the net 12 is releasably secured to the framework, by, for example, hooks or ties or similar means provided (not shown). The ground-pegs 22 are used to releasably secure the frame to the ground in either mode if required.

An integral carrying handle 26 may be provided for use when the storage casings are in the closed position.

Further means may be provided to store and transport by, for example, a bag, case or similar means (not shown).

To fold-away the self-contained goal and net the steps described above are carried out in the reverse sequence.

CLAIMS

- 1 A self-contained goal and net comprising the posts, which are adapted to form storage-unit casings, means for releasably securing together the casings and containing therein, the net, the cross-bar and the support frames, with the means for releasably securing together as a framework in the mode of either a goal or net.
- 2 A self-contained goal and net as claimed in Claim 1 wherein storage means are provided within or in conjunction with the posts to fully or in part retain the disassembled framework and net components together.
- 3 A self-contained goal and net as claimed in Claim 1 or Claim 2, wherein transportable means is provided on the posts with an integral handle or carrying strap.
- 4 A self-contained goal and net as claimed in Claim 2 or Claim 3, wherein the storage and transportable means is provided with a bag or case adapted for containing the storage-unit casings therein.
- 5 A self-contained goal and net substantially as described herein with reference to Figures 1 - 4 of the accompanying drawing.



Application No: GB 9804815.0
Claims searched: 1-5

Examiner: Kalim Yasseen
Date of search: 3 June 1998

Patents Act 1977
Search Report under Section 17

Databases searched:

UK Patent Office collections, including GB, EP, WO & US patent specifications, in:
UK Cl (Ed.P): A6D (D11F)
Int Cl (Ed.6): A63B 61/00, 61/02, 63/00
Other: Online: WPI

Documents considered to be relevant:

Category	Identity of document and relevant passage	Relevant to claims
A	WO 95/13847 A (EUREKA)	
X	US 4 993 719 A (HERNANDEZ) see whole document especially figure 2	1-4
X	US 4 088 317 A (GIERLA) see whole document especially figure 1	1-4

X	Document indicating lack of novelty or inventive step	A	Document indicating technological background and/or state of the art.
Y	Document indicating lack of inventive step if combined with one or more other documents of same category.	P	Document published on or after the declared priority date but before the filing date of this invention.
&	Member of the same patent family	E	Patent document published on or after, but with priority date earlier than, the filing date of this application.